

# 4, 8 & 16 PORT KVM SWITCH




**User Manual**  
**NS-431H**  
**NS-831HD**  
**NS-1631HD**



## Table of Contents

- **Introduction**
  - Overview.....1
  - Content.....1
  - Features.....2
- **Installations**
  - PC BIOS Notice.....3
  - Adhesive Rubber Feet.....4
  - Console Connection.....4
  - Computers Connection.....4
- **Operations**
  - Front Panel operation.....7
  - OSD (On-Screen Display) Operation.....8
  - Hot-Key Commands.....13
- **Cascade Configuration**
  - Connection.....16
  - Computer Selection.....16
- **Sun Keyboard Mapping**.....17
- **Appendix**
  - Specifications.....18
  - Troubleshooting.....19

 Please read this manual thoroughly and follow the **Installation** procedures to prevent any damage to the NewStar Switch or any connecting device.

This device is tested and complies with Part 15 of FCC/class B, CE and VCCI rules.



----- **Introduction**

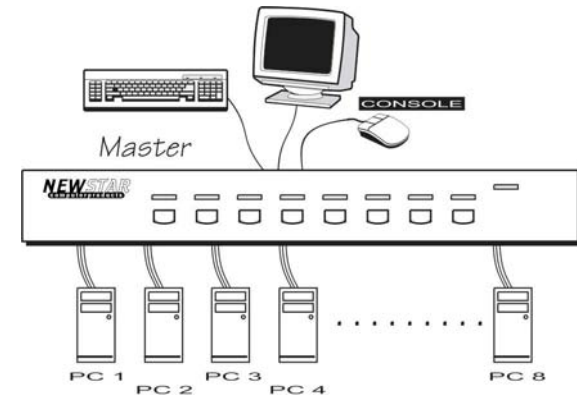
**Overview**

The hybrid USB and PS/2 KVM switches – NS431H, NS831HD, and NS1631HD extend your computer management to either PS/2 and/or USB models, or both from a single PS/2 console. With the Sync-Emu™ Technology, the advanced NS831HD, and NS1631HD are designed to meet the special requirements from USB-ready HP Unit systems and Sun servers. Engineered for servers of the highest level, the NS831HD, and NS1631HD guarantee flawless switching with zero tolerance.

Installation is as easy as connecting USB A-B cables or PS/2 cables in between computers and the NewStar switch. Selecting a computer is as easy as front panel button pressing or by entering hotkey commands. The innovated KVM technology ensures smooth switching from one computer to the other and signal conversion from PS/2 to USB. No more tangled cables and messy working environment; let the NEWSTAR SWITCH switches do the computer switching for you.

**NewStar Switch Content**

- KVM switch x 1
- Power Adapter x 1
- Foot Pad x 1 set
- Bracket x 2 (optional)
- User's Manual x 1
- PS/2 Y-Adapter x 4/6/12 for 4/8/16-port model



8-port KVM Switch configuration

**Features**

- Manage from 4 to 16 USB-enabled PCs, iMacs from one PS/2 keyboard, one mouse, and one monitor.
- For computer with USB or PS/2 interface.
- Front panel push-buttons for easy computer selection.
- Support keyboard and mouse Plug-and-Play.
- Buzzer sound for computer switching confirmation.
- High VGA resolution up to 1920\*1440.
- Activate Auto Scan by front buttons pressing.
- USB specification compliant.
- Support the latest DDC2B VGA monitor.
- OSD menu for server naming and selection. (OSD Models only)
- Support USB-ready HP Unix and Sun servers. (OSD Models only)

----- **Installation**

**PC BIOS Notice**

The following BIOS setup changes are necessary for PC users using USB and **not** necessary for Mac users:

1. In STANDARD CMOS, set HALT ON ERROR to ALL BUT KEYBOARD.
2. In PNP AND PCI SETUP, set PNP OS INSTALLED to YES and set USB IRQ to ENABLED.
3. For newer computers: in INTEGRATED PERIPHERALS, set USB CONTROLLER and KEYBOARD SUPPORT to ENABLED.

Also, make sure USB is properly selected in Device Manager under Control Panel, as shown in Figure 1.

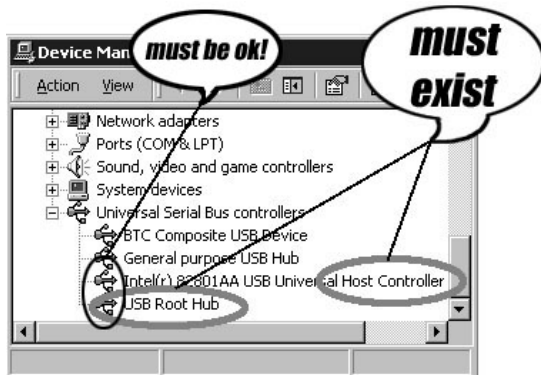


Figure 1: PC BIOS Notice

**Note:** For NS431H, switching from one computer to the other is equivalent to unplugging the USB device from one computer and plugging it to another. For certain computers neither accept plug-and-play nor USB hub, the OSD models deal with it by the advanced Sync-Emu™ Technology emulating USB devices at all ports individually.

**Adhesive Rubber Feet**

For the desktop operation, you may stick the four round rubber feet (supplied with the unit) to the bottom of the NewStar Switch. NOTE: Give the rubber feet a firm press to the enclosure when applying them. Do not use the rubber feet for rack mount operation.

**Console Connection**

Before installation, make sure all devices and computers to be connected to the KVM switch have been turned off.

Plug a monitor to the Console's **VGA** port; connect a PS/2 mouse and a keyboard to the **CONSOLE** port marked with a mouse and a keyboard as shown in Figure 2.

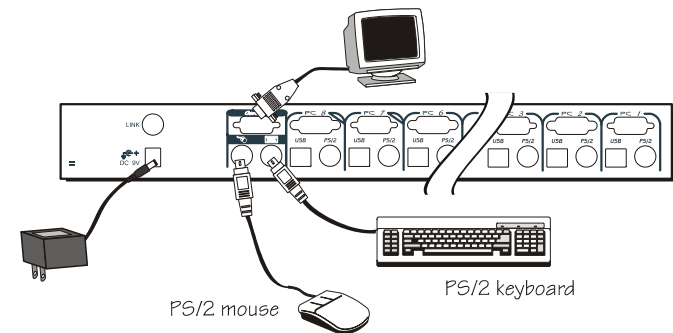


Figure 2: Console Connection

**Computers Connection**

Use a HDB15 male-to-female cable to connect from a computer's VGA output to VGA port of **PC** side, as shown in Figure 3, Figure 4, and Figure 5.

- For USB computer: Use a USB A-B cable to connect from one of the **PC** ports to the USB port on the corresponding computer (A connector, flat connector), as shown in Figure 3.

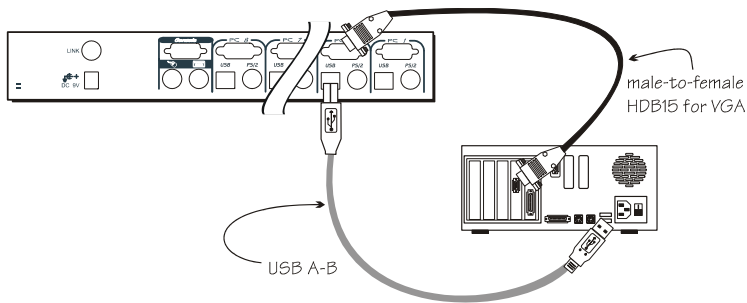


Figure 3: Computer USB Port Connection

● For PS/2 computer: Connect a "PS/2 Y-adapter", come with the unit, to the PS/2 port at PC side, then use two mini-DIN6 male-to-male cables for keyboard and mouse, see Figure 4. There are two mini-DIN6 female connectors on the "PS/2 Y-adapter" marked with keyboard and mouse, be sure not to swap the connections.

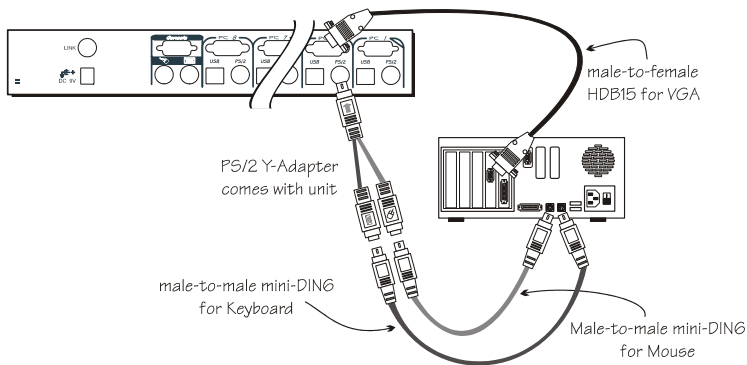


Figure 4: Computer PS/2 Port Connection

● For Laptop computer: In most cases, all you need is one PS/2 male-to-male cable connected between the KVM switch and your Notebook; the Y-adapter is not necessary. However, some Laptop computers do not follow industry standard, please check your Laptop user's manual for details.

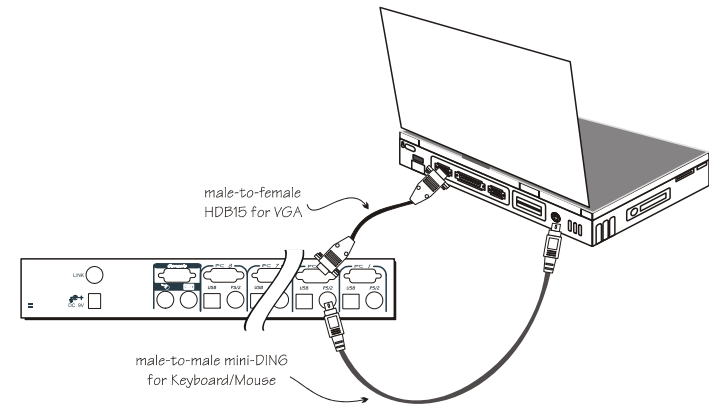


Figure 5: Laptop PS/2 Port Connection

Now, you can turn on all devices and computers.

**Note:** Do not connect both PS/2 and USB ports of *one* PC port on the NS431H to a computer; otherwise, only the USB port is effective at a time.

## Operations

### Front Panel

#### ■ On-line LED & Selected LED

When the LED turns green, the connected computer is powered-on. When a computer is selected, its corresponding red LED illuminates.

#### ■ Push-buttons

Each computer has a button associated with it on the front panel for selection.

#### ■ K/M RESET

**K/M RESET** solves most problems developed by keyboard, mouse, device replacement or change of configuration. Press down both the front-panel number **1** and **2** push buttons for 2 seconds to re-configure the whole system without turning either the USB KVM switch or any computer off.

#### ■ AUTO SCAN

*Auto Scan* automatically scans through computers one by one in a fixed interval (see *Scan Time* below). To initiate *Auto Scanning*, for NS431H, you can press down both the front-panel number **3** and **4** buttons for 2 seconds. For NS831DH and NS1631DH, press **7** and **8** instead.

**Note:** For NS431H model only: computers using USB keyboard and mouse are not immediately operable when selected during *Auto Scan*. Wait for about three seconds after switching to a USB computer, and then use the keyboard and mouse.

## OSD (On-Screen-Display) Operation

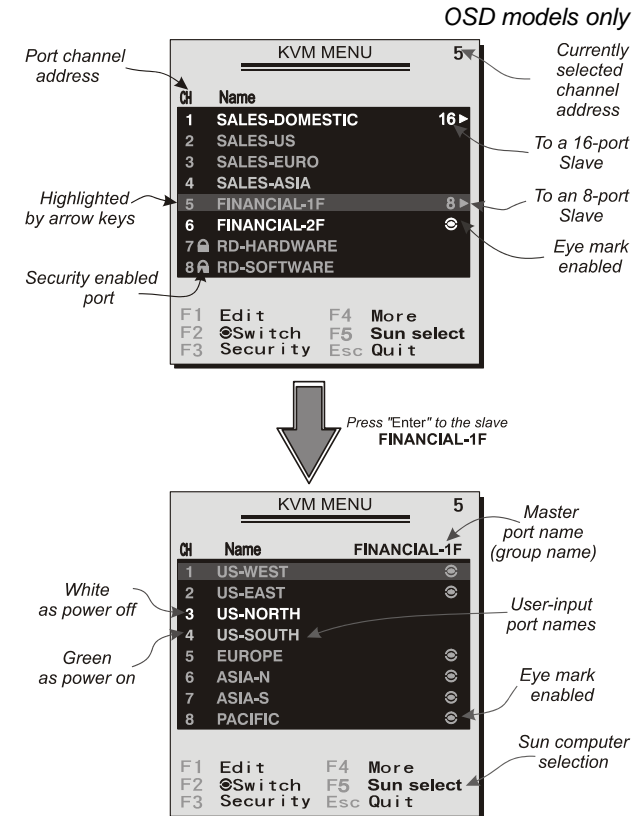


Figure 6: OSD screen illustration

By hitting the left **Ctrl** key twice within two seconds, you may see the 'Hotkey Menu' if it is enabled (an OSD option). Or, by hitting the left **Ctrl** key three times within two seconds, you will see a 'KVM MENU' screen showing a list of the computers with corresponding port numbers, names and status, see Figure 6.

The port number of the currently selected computer is displayed in red, same as the front indicator, at the right corner of the OSD menu.

The color of a device name is green if it has power and is ready for operation, or the color is white, as it has no power. OSD menu updates the color when it is activated. The **PageUp** and **PageDown** keys can be used to view 8 other computers at a time, NS831DH, for example.

For example, NS1631DH, using the “**↑**”, “**↓**”, “**1**” ~ “**8**”, or “**A**” ~ “**H**” to highlight a computer and then press the **Enter** key to select it. Or, you may press the **Esc** key to exit OSD and remove the OSD menu from the display; the status window returns to the display and indicates the currently selected computer or operating status. A triangle mark (▶) to the right of a name indicates the port is cascaded to a *Slave*; the number at the left of the triangle mark shows the number of ports the *Slave* has, i.e. **8▶** for an 8-port switch. The **Enter** key brings you one level down and another screen pops up listing the names of the computers on that *Slave*. The name of the *Slave* will be shown at the upper right corner of the OSD menu. It is useful to group computers and still be able to see the group name.

An eye mark (👁) to the right of a name indicating the computer is selected to be monitored in Scan mode. In OSD, this mark can be switched on or off by the function key **F2**.

Press the **Esc** key to exit OSD and to return to the selected computer; the computer name is also shown on the screen.

- **Function key F1** : To edit name entry of a computer or a *Slave* with up to 14 characters. First, highlight a port then press **F1** followed by name entry. Valid characters are ‘A’~‘Z’, ‘0’~‘9’ and the dash character. Lowercase letters are converted to uppercase ones. Press **Backspace** to delete a letter one at a time. Non-volatile memory stores all name entries until you change, even if the unit is powered down.

- **Function key F2** : To switch the eye mark (👁) of a computer on or off. First, use the **UP** and **DOWN** arrow keys to highlight it, then press **F2** to switch its eye mark on or off. If *Scan Type* is **Ready PC +👁**, only the power-on and eye mark selected computers will be displayed sequentially in Scan mode.

- **Function key F3** : To lock a computer from unauthorized access. To lock a device, highlight it then press **F3**. Now, enter up to 4 characters (‘A’~‘Z’, ‘0’~‘9’, ‘-’) followed by **Enter** as new password. A Security-enabled device is marked with a lock (🔒) following its port number. To permanently disable the security function from a locked device, highlight it, press **F3** then enter the password.

If you want to access the locked device temporarily, simply highlight it and press **Enter**, the OSD will ask you for the password. After entering the correct password, you are allowed to use the device. This device is automatically re-locked once you switch to another port. During Scan mode, OSD skips the password-protected ports.

***If you forget the password, the only way to permanently erase all the passwords is to:  
For NS831DH and NS1631DH, press and hold the front panel buttons “1” and “2”, then hold “7” and “8”. Release “7” and “8”, then release “1” and “2”. For NS431H press “3” and “4” instead of “7” and “8”.***

- **Function key F4** : More functions are available by hitting **F4**. A new screen pops up displaying more functions as described below. Most of them are marked with a triangle (▶) indicating there are options to choose from. Using the **UP** and **DOWN** arrow keys, select the functions and press **Enter**. Available options will be shown in the middle of the screen. Again, using the **UP** and **DOWN** arrow keys to view options then press **Enter** to select it. You can press **Esc** to exit at any time.

■ *Auto Scan*

In this mode, the NEWSTAR SWITCH automatically switches from one power-on computer to the next sequentially in a fixed interval. During *Auto Scan* mode, the OSD displays the name of the selected computer. When *Auto Scan* detects any keyboard or mouse activity, it suspends the scanning till activity stops; it then resumes with the next computer in sequence. To abort the *Auto Scan* mode, press the left **Ctrl** twice, or, press any front button. *Scan Type* and *Scan Rate* set the scan pattern. *Scan Type* ( **F4** : More\Scan Type) determines if scanned computers must also be eye mark selected. *Scan Rate* ( **F4** : More\Scan Rate) sets the display interval when a computer is selected before selecting the next one.

■ *Manual Scan*

Scan through power-on computers one by one by keyboard control. Type ( **F4** : More\Scan Type) determines if scanned computers must also be eye mark selected. Press the up arrow key **↑** to select the previous computer and the down arrow key **↓** to select the next computer. Press any other key to abort the Manual Scan mode.

■ *Scan Type*

**Ready PC +**: In Scan mode, scan through power-on and eye mark selected computers.

**Ready PC**: In Scan mode, scan through power-on computers.

**Eye Only**: In Scan mode, scan through any **Eye** selected computer regardless of computer power status. The non-volatile memory stores the *Scan Type* setting.

■ *Scan Rate*

Sets the duration of a computer displayed in *Auto Scan* mode. The options are **3 seconds, 8 seconds, 15 seconds and 30 seconds**. The non-volatile memory stores the *Scan Rate* setting.

■ *Keyboard Speed*

NEWSTAR SWITCH offers keyboard typematic setting that overrides

the similar settings in BIOS and in Windows. Available speed options are **Low, Middle, Fast and Faster** as 10, 15, 20 and 30 characters/sec respectively. The non-volatile memory stores the Keyboard Speed Setting.

■ *Audio Stick*

An optional multimedia module can be linked to the back of each Integra KVM switch for selecting microphone and stereo speaker signals. There are two options for *Audio Stick*: **On** and **Off**. When set to **On**, audio selection follows computer selection. When set to **Off**, audio selection stops following computer selection. It is useful if you want to listen to a particular computer's audio signal while operating other computers. The non-volatile memory stores the *Audio Stick* setting.

■ *Hotkey Menu*

When you hit the *left Ctrl* key twice within two seconds, the "Hotkey Menu" appears displaying a list of hot-key commands if the option is **On**. The 'Hotkey Menu' can be turned **Off** if you prefer not to see it when the *left Ctrl* key is hit twice. The non-volatile memory stores the Hotkey Menu setting.

■ *CH Display*

**Auto Off**: After you select a computer, the port number and name of the computer will appear on the screen for 3 seconds then disappear automatically. **Always On**: The

port number and name of a selected computer and/or OSD status displayed on the screen all the time. The non-volatile memory stores the CH Display setting.

- **Position**  
The position of the selected computer name and/or OSD status displayed on screen during operation. The actual display position shifts due to different VGA resolution, the higher the resolution the higher the display position. The non-volatile memory stores the Position setting.

**Upper Left, Upper Right, Middle.  
Lower Left, Lower Right.**

- **Country Code for Sun**  
Sun keyboards of different languages have different layouts. The KVM switch is able to emulate a Sun keyboard for a specific language type or country such as **Arabic, Belgian, US, Yugoslavia, and so forth**. Select the proper country code that matches **ALL** of your Sun computers.

- **Function key F5** : To switch the **Sun** mark of a port **on** or **off** indicating the computer is a Sun server. Sun servers have more keys on the keyboard than a PC. When a **Sun**-marked port is selected, the KVM switch starts to translate the keys from a PS/2 keyboard to a Sun keyboard. See *Sun Keyboard Mapping* for detail.

- **Esc** : To exit the OSD, press the **Esc** key.

## Hot-key commands

Hot-key command is a short keyboard sequence to select a computer, to activate computer scan, and so forth. The USB KVM switch interprets keystrokes for hot-keys all the time. A hot-key sequence starts with two **left Ctrl** keystrokes followed by one or two more keystrokes. A built-in buzzer generates a high-pitched beep for

correct hot-key command; otherwise, one low-pitched beep for error and the bad key sequence will not be forwarded to the selected computer.

**L-CTRL**: is the **Ctrl** key located at the left side of the keyboard.

**1~8**: are the number keys '1' ~ '8' at the upper row of the keyboard. *Do not use the keypad at the right of the keyboard.*

**A~H**: represents from Port 9 to Port 16

- To select a computer by hot-key command, you must know its port address, which is determined by the NewStar Switch connection at the back. For example:

**left Ctrl + left Ctrl + 4**

Selects a computer connected to the **PC** port 4.

- To start *Auto Scan*, automatically scan power-on computers one by one at a fixed interval:

**left Ctrl + left Ctrl + F1**

When *Auto Scan* detects any keyboard or mouse activity, it suspends the scanning till activity stops; it then resumes with the next computer in sequence. The length of the *Auto Scan* interval (*Scan Rate*) is adjustable, please see below. To abort the *Auto Scan* mode, press the **left Ctrl** key twice.

- *Manual Scan* enables you to manually switch back and forth between power-on computers.

**left Ctrl + left Ctrl + F2**

Press **↑** or **↓** to select the previous or the next computer in sequence. And, press any other key to abort the *Manual Scan*.

- To adjust *Scan Rate* which sets the duration before switching to the next computer in *Auto Scan*:

**left Ctrl + left Ctrl + F3**

The NewStar Switch sends one to four beeps indicating scan interval of **3, 8, 15** and **30** seconds respectively.

■ To adjust keyboard typematic rate (characters/sec), this setting over-rides that of BIOS and any operating system:

left **Ctrl** + left **Ctrl** + **F4**

The NewStar Switch generates 1 to 4 beeps corresponding to **10**, **15**, **20** and **30** characters/sec respectively.

## ----- Cascade Configuration

### Connection

Before connecting a device (a computer or another NEWSTAR SWITCH product) to the master under power, you must turn off the device. Only PS/2 port is operable for cascade operation, see Figure 7 for details.

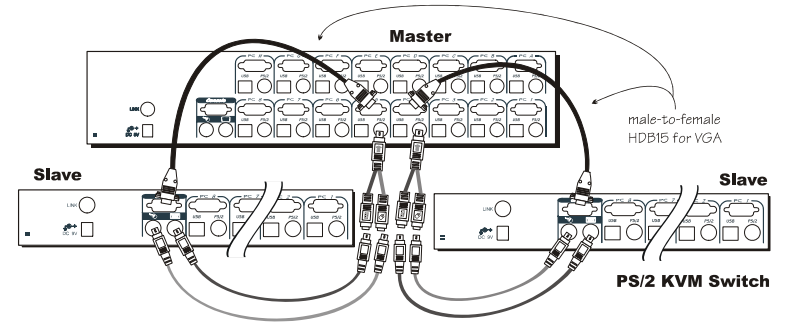


Figure 7: Cascade Connection

**Note:** The Master must have equal or more 'PC x' ports than that of the slave, i.e., if an 8-port switch is the Master, an 8-port or 4-port switch can be a Slave, but not a 16-port one. PS/2-only models can be cascaded with USB-PS/2 universal models.

### Computer Selection by Hot-Key Command

The first digit is the port address of the *Master* unit (1~8) and the second digit is the port address of the *Slave* (1~8,A~H). Please note that only *Master's* PS/2 ports can be connected to a *Slave's* **CONSOLE** port.

left **Ctrl** + left **Ctrl** + **1** + **3**

Selects a computer connected to PS/2 or USB port **3** of a *Slave* connected to PS/2 port **1** of the *Master*.

## Sun Keyboard Mapping (OSD models only)

The OSD models emulate a Sun's keyboard and mouse when a computer is marked with a **Sun** in OSD menu by Function key **F5**. A Sun keyboard has more keys than a standard PS/2 one. These extra keys are simulated by tapping the *lower-right* **Ctrl** followed by one of the function keys on a PS/2 keyboard (i.e. combo key). For instance, tap the *lower-right* **Ctrl** key, then tap the function key **F7** to activate **Open** for a Sun computer.

PS/2 keyboard	Sun keyboard
<i>right - Ctrl</i> 1	
<i>right - Ctrl</i> 2	
<i>right - Ctrl</i> 3	
<i>right - Ctrl</i> 4	<small>note</small>
<i>right - Ctrl</i> F1	<b>Stop</b>
<i>right - Ctrl</i> F2	<b>Again</b>
<i>right - Ctrl</i> F3	<b>Props</b>
<i>right - Ctrl</i> F4	<b>Undo</b>
<i>right - Ctrl</i> F5	<b>Front</b>
<i>right - Ctrl</i> F6	<b>Copy</b>
<i>right - Ctrl</i> F7	<b>Open</b>
<i>right - Ctrl</i> F8	<b>Paste</b>
<i>right - Ctrl</i> F9	<b>Find</b>
<i>right - Ctrl</i> F10	<b>Cut</b>
<i>right - Ctrl</i> H	<b>Help</b>
<i>right -</i>	<i>right -</i>
<i>left -</i>	<i>left -</i>
	<b>Compose</b>
<i>right - Alt</i>	<b>Alt Graph</b>
<i>left - Alt</i>	<b>Alt</b>

## Appendix Specifications

Specification	NS431H	NS831DH	NS1631DH
No. of computers supported	4	8	16
Front panel push button	4	8	16
Hot plug-and-play	Yes		
Hot-key Control	Yes		
On-screen display (OSD)	No	Yes	
Sync-Emu Technology	No	Yes	
Automatic scan interval	3, 8, 15, 30 seconds		
Cable Length (Max)	30M(100ft) for VGA 5M(15ft) for USB 30M(90ft) for PS/2		
Computer ON-LINE LED	4	8	16
Computer selected LED	4	8	16
VGA	1920 X 1440, DDC2B		
Computer peripheral connector monitor	USB Type B x 4, PS/2 x 3 HDB-15 male x 4	USB Type B x 8, PS/2 x 8 HDB-15 male x 8	USB Type Bx16, PS/2 x 16 HDB-15 male x 16
Console peripheral connector monitor	PS/2 x 2 HDB-15 female x 1		
Weight (g) (oz)	900 31.74	2400 84.66	3700 130.5
H x W x D (mm) (in)	44 x 220 x 130 1.75 x 8.75 x 5.125	44 x 436 x 180 1.75 x 17.25 x 7.0	88 x 436 x 220 3.5 x 17.25 x 8.7
Size	Compact	1U	2U

## ----- Troubleshooting

Ensure that all cables are well seated. Label the cable for each computer to avoid confusion when connected to the NS431H, NS831HD, and NS1631HD.

Symptom	Causes	Solutions
<ul style="list-style-type: none"> <li>Keyboard or mouse does not work.</li> </ul>	<ul style="list-style-type: none"> <li>In Auto Scan, computers using USB keyboard and mouse are not operable.</li> <li>Too many keyboard or mouse drivers installed in one computer.</li> </ul>	<ul style="list-style-type: none"> <li>Press any front button to select a computer, then use the keyboard and mouse.</li> <li>Remove ALL unnecessary keyboard and mouse drivers.</li> </ul>
<ul style="list-style-type: none"> <li>Keyboard or mouse does not work after switching to a different USB computer.</li> </ul>	<ul style="list-style-type: none"> <li>The USB computer does not support plug-and-play as specified by USB standard.</li> </ul>	<ul style="list-style-type: none"> <li>Update that computer's USB driver. Device hot plug-and-play is one of the basic USB specifications. OSD models is better suited for this environment</li> </ul>
<ul style="list-style-type: none"> <li>Computer hangs up while switching computer.</li> </ul>	<ul style="list-style-type: none"> <li>USB computer initialization takes too much time.</li> </ul>	<ul style="list-style-type: none"> <li>Wait at least 5 seconds before switching from one USB computer to another to ensure proper USB communication.</li> </ul>
<ul style="list-style-type: none"> <li>Auto Scan does not switch PC automatically and the switch beeps.</li> </ul>	<ul style="list-style-type: none"> <li>All PCs are off or only one PC is turned on. Scan mode works for power-on computers only.</li> </ul>	<ul style="list-style-type: none"> <li>Turn computers on.</li> </ul>
<ul style="list-style-type: none"> <li>Unable to control a Sun server or a HP Unix system.</li> </ul>	<ul style="list-style-type: none"> <li>The server does not support USB plug-and-play or USB hub.</li> </ul>	<ul style="list-style-type: none"> <li>The Sync-Emu™ technology of OSD models solves this problem.</li> </ul>
<ul style="list-style-type: none"> <li>Unable to control a Sun server while using OSD models.</li> </ul>	<ul style="list-style-type: none"> <li>Sun mark is not tagged in OSD menu.</li> </ul>	<ul style="list-style-type: none"> <li>Make sure each Sun server is tagged with a <b>Sun</b> mark in the OSD menu by Function key <b>F5</b>.</li> </ul>

PS/2 keyboard	Sun keyboard
right - Ctrl 1	
right - Ctrl 2	
right - Ctrl 3	
right - Ctrl 4	<small>note</small>
right - Ctrl F1	Stop
right - Ctrl F2	Again
right - Ctrl F3	Props
right - Ctrl F4	Undo
right - Ctrl F5	Front
right - Ctrl F6	Copy
right - Ctrl F7	Open
right - Ctrl F8	Paste
right - Ctrl F9	Find
right - Ctrl F10	Cut
right - Ctrl H	Help
right -	right -
left -	left -
	Compose
right - Alt	Alt Graph
left - Alt	Alt

## Limited Warranty

IN NO EVENT SHALL THE DIRECT VENDOR'S LIABILITY FOR DIRECT OR INDIRECT, SPECIAL, INCIDENTAL OR CONSEQUENTIAL DAMAGES, LOSS OF PROFIT, LOSS OF BUSINESS, OR FINANCIAL LOSS WHICH MAY BE CAUSED BY THE USE OF THE PRODUCT EXCEEDS THE PRICE PAID FOR THE PRODUCT.

The direct vendor makes no warranty or representation, expressed or implied with respect to the contents or use of this documentation, and especially disclaims its quality, performance, merchantability, or fitness for any particular purpose.

The direct vendor also reserves the right to revise or update the product or documentation without obligation to notify any user or organization of such revisions or updates. For further information, please contact your direct vendor.

All the brand names and registered trademarks are the property of their respective owners.

\* HP is a registered trademark of Hewlett-Packard Company.

\* Sun is a registered trademark of Sun Microsystems.