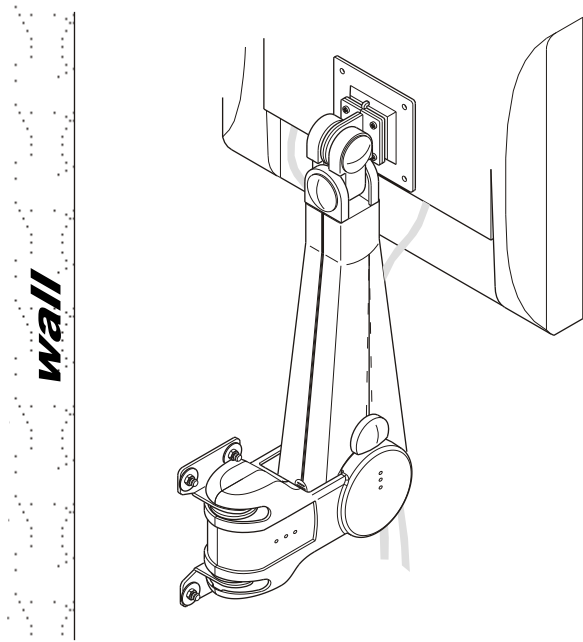


LCD Monitor Arm



Before starting Assembly


Please spend a short time reading this manual then follow the simple step by step guide to assembly. Some panels are viewed differently from the exploded drawing below, this is for extra clarity.

Do not discard any of the packaging until you have checked all the parts and the pack of fittings. If you are missing any of the parts, contact store where you purchased.

Parts Check-List

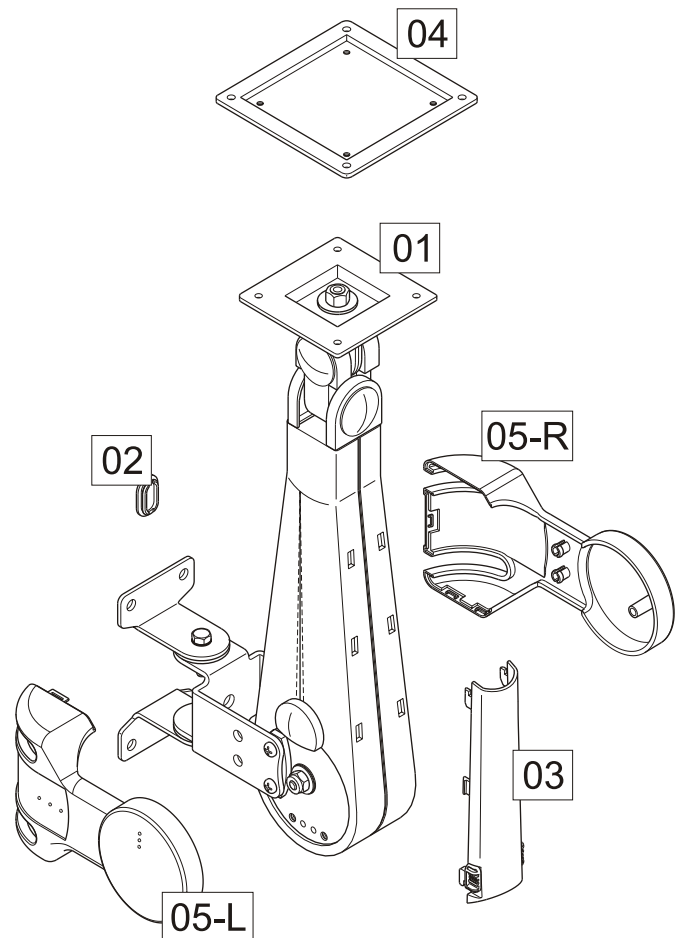
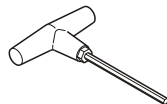
Code	Component	Qty
01	Arm	1
02	Rubber Cap	1
03	Cable Cover	1
04	Connector Plate	1
05	Base Cover	1pair

Fitting Check-List

Code	Description	Qty
06	Screw 	8

Tools Check-List

Allen Key (T Shape)

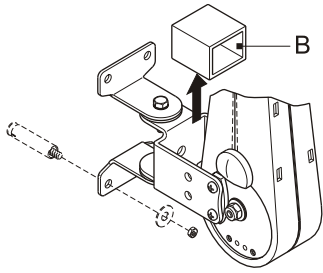


Caution:

Regular cleaning with a clean dry cloth is usually sufficient, but for stubborn marks, wipe over gently with a clean damp cloth. Never use strong detergents or abrasive cleaners as these may damage the surface finish of your furniture. There are many small components used in the construction of this unit. These loose items should be kept away from young children while assembling your unit.

Assembly Guide

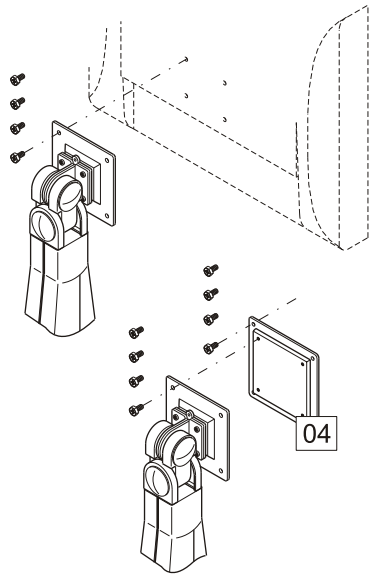
wall



Remove cardboard (B) before proceed to assembly.

Secure arm firmly to the wall with four expansion screws (not supplied) before assemble LCD monitor.

06 x8



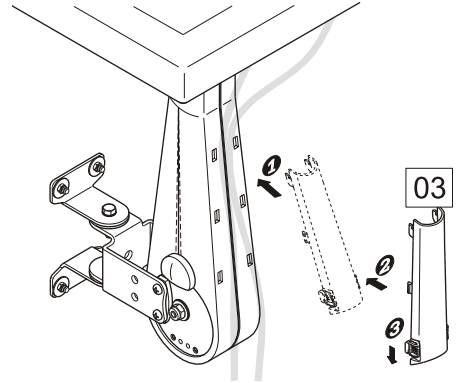
Check your LCD panel first to find which VESA standard interface it supports before assembling.

75 mm x 75 mm VESA standard interface

Secure the arm to the rear of the LCD panel with four screws 06.

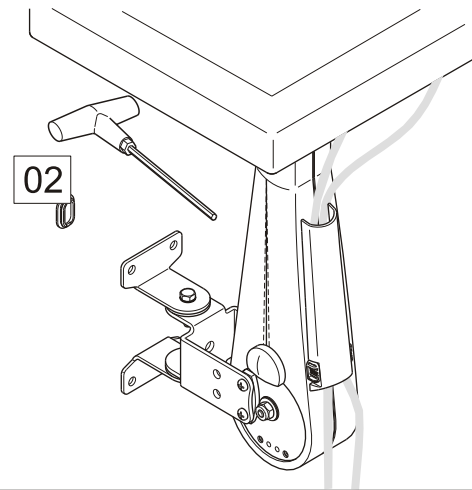
100 mm x 100 mm VESA standard interface

Secure 100 x 100 mm connector plate 04 to the arm with four screws 06, then secure the arm to the rear of the LCD panel with four screws 06.



Gather cables along with arm body and assemble cable cover 03 to keep cables steady.

Make sure slidlock upward before assemble. Lock downward slidlock after cable cover hooks all press into the arm hole.



Remove the rubber cap 02, use the Allen key provided to adjust the weight capacity from 3 to 8 kgs. The weight is originally set up at 3 kgs. Replace rubber cap 02 after weight adjustment.

ADJUSTMENT:

Be sure to adjust the weight in a vertical position as illustrated. Twist the Allen key in a clockwise direction for less weight; counterclockwise direction, more weight. Make sure of the LCD panel weight prior to adjusting the weight according to the instruction.

Manual:

Panel weight	counterclockwise direction
4 kgs	4 turns
5-6 kgs	5-7 turns
7-8 kgs	8-10 turns

Assemble base cover to arm after finishing weight adjustment, follow below procedures:

1. First assemble 05-L to arm and must fit two position at the same time:
 - a. 05-L two pins must aim at two holes on arm bracket. (Fig.1)
 - b. Front edge should fit same round hole of the arm. (Fig.2)
2. Push 05-L till hear "click" sound and make sure pins clicked.
3. Assemble 05-R in same process and adjust two base cover firmly hooked. (Fig.3)

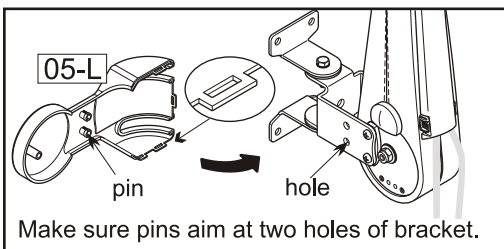


Fig.1

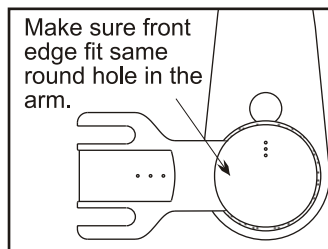


Fig.2

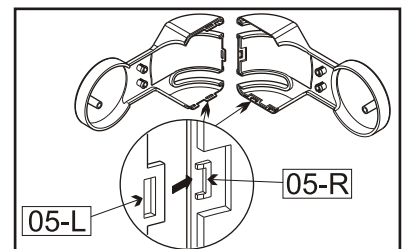
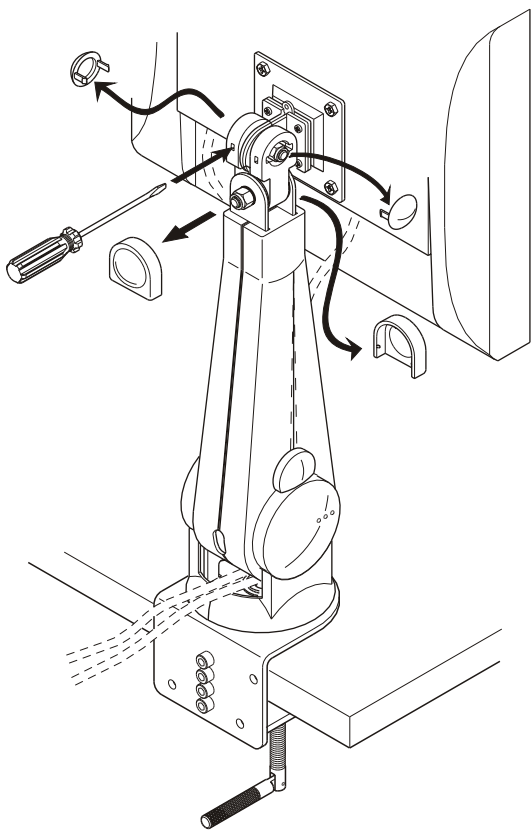


Fig.3

Illustration For Adjusting Universal Joint



To fit different weight requirement of different LCD monitor, perhaps it will need to adjust weight capacity of Universal Joint. Please follow below procedures:

First Knuckle (upper): for view angel up&down:

- Take out two sides lid: take screwdriver to aim at side aperture on Universal Joint to push lid pin then remove side lids.
- Fix torque wrench at 14lb-ft and fasten nylon-nut. Torque depends on actual requirement. (14lb-ft is suggested)
- Assemble lid back.

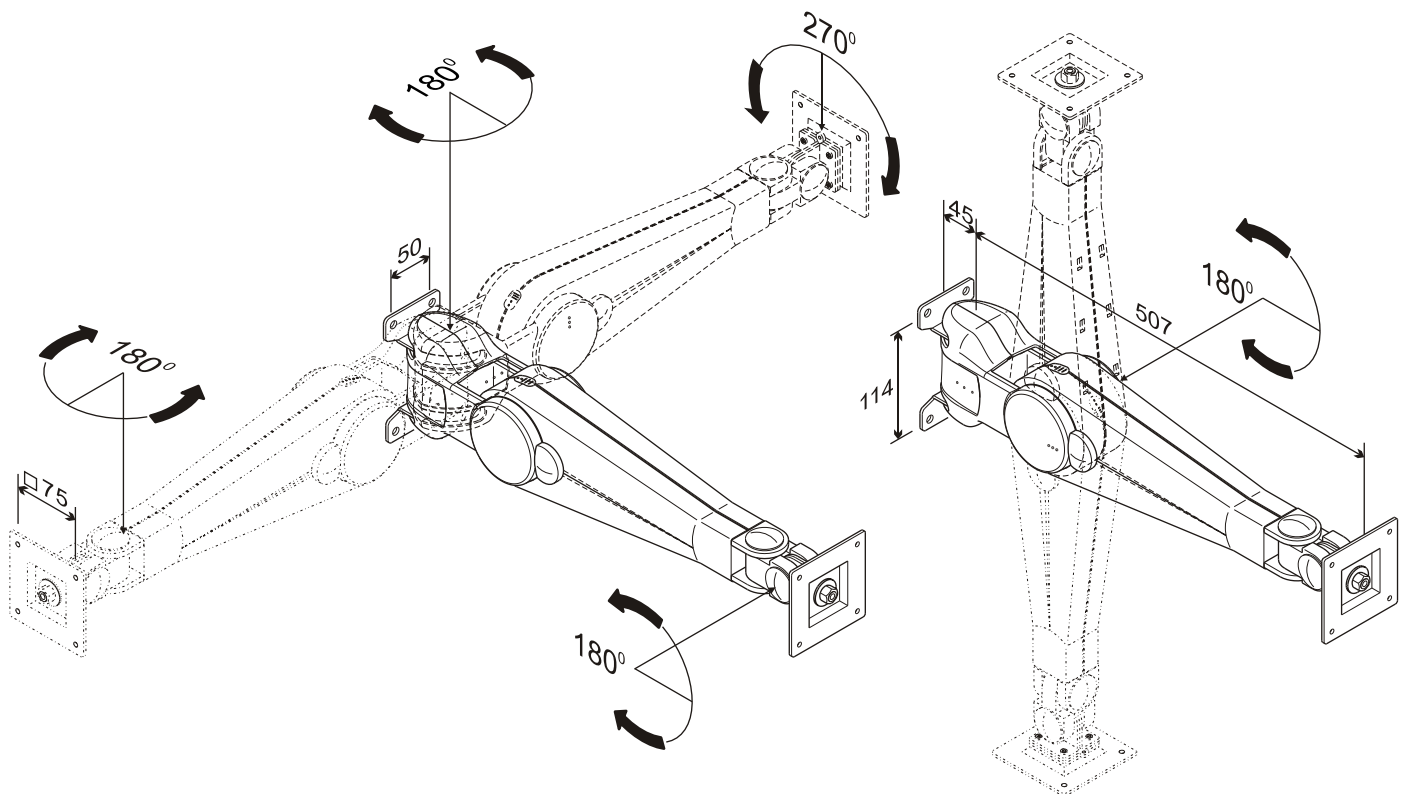
Second Knuckle (lower): for view angel left&right:

- Remove plastic cover
- Fix torque wrench at 16lb-ft, use wrench to fix the opposite head and fasten. You could fasten up either on screw head or nylon-nut. Torque depends on actual requirement. (16lb-ft is suggested)
- Assemble cover back.

P.S.: equipment requires:

- "@" head wrench (head less than 4.5mm)
- Torque wrench (10~20lb-ft)
- Wrench (No. 13 for fixing)

Arm Operation



11 Safety Notes:

1. Make sure arm keep upwards during assembly.
2. Do not place the arm in a shaking environment .
3. Do not remove any parts except handle, rubber cap and bolt as illustrated.(Fig.2)
4. Do not put your fingers in the space of knobs to avoid getting hurt.(Fig.3)
5. Please maintain all operation under room temperature.
6. Do not place other stuff on the surface of the arm.
7. Do not place the panel weighted over 8 kgs.
8. Use both two hands to adjust monitor view angle . (Fig.4)
9. Be sure to secure the arm to the panel with 4 screws tightly.(Fig.5)
10. Be sure to adjust the arm in a vertical status after the job done to avoid the resiliency exhaustion of gas cylinder.(Fig.6)
11. Cable Cover is restricted to hold two 8mm & two 3mm cables or cords.

